

CON/KAD/002/SR

Mating connector for KAD/TDC/002 (DD, 52-way)

**CURTISS-
WRIGHT**

CURTISSWRIGHTDS.COM

Overview

The CON/KAD/002/SR is a modified 52-way Double-Density (DD) connector for use with the KAD/TDC/002.

The part is supplied as a connector shell (with integral insulator), and a bag of 42 crimp pins (size 22 AWG), which may be inserted into the connector shell. The connector is electroless nickel-plated.

The mating screws are stainless steel and are held in place on the connector shell by stainless steel retaining clips.



Key Features

- Mating connector for KAD/TDC/002

Applications

- Connecting KAD/TDC/002 modules

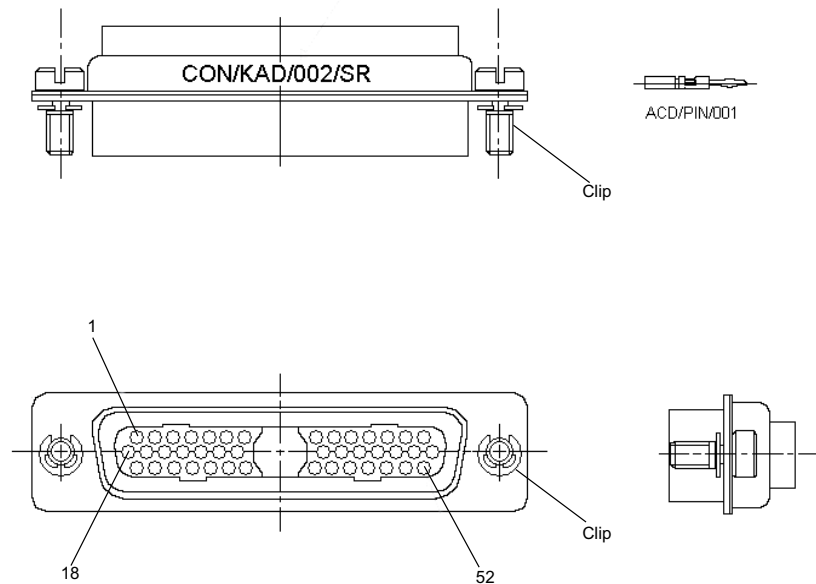


Figure 1: CON/KAD/002/SR plan, elevation and front view

Specifications

TABLE 1		Mechanical specifications				
PARAMETER	MIN.	TYP.	MAX.	UNITS	CONDITION/DETAILS	
Mass						
connector, screw and clip	-	8.7	-	g		
connector, screw and clip	-	0.30	-	oz	Design metric is grams.	
Dimensions						
connector height	-	14	-	mm		
connector height	-	0.5	-	in.	Design metric is millimeters.	
connector length	-	53	-	mm		
connector length	-	2	-	in.		
connector width	-	12.8	-	mm		
connector width	-	0.5	-	in.		
screw length	-	3.5	-	mm	Length of threaded insert.	
screw length	-	0.1	-	in.	Length of threaded insert.	
width of clip	-	5.0	-	mm		
width of clip	-	0.2	-	in.		
Chassis clearance						
connector height	-	22	-	mm		
connector height	-	0.9	-	in.		
bend radius height	-	52	-	mm	Without ACD/BAC/002 or ACD/BAC/003 attached.	
bend radius height	-	2	-	in.		
Finish						
connector	-	-	-	-	Electroless nickel-plated aluminum.	
screw	-	-	-	-	Stainless steel.	
clip	-	-	-	-	Stainless steel.	
integral isolator housing	-	-	-	-	Nylon.	
pins	-	-	-	-	Copper alloy with 1.2µm gold plating. Crimp pins accommodate cable size 22 - 26 AWG.	
pins and retaining clips	-	-	-	-	Stainless steel.	

Getting the most from the CON/KAD/002/SR

The modified 52-way DD mating connector is only for use with the KAD/TDC/002.

The CON/KAD/002/SR is supplied with 42 loose pin contacts. See the *KIT/001* data sheet in the *Acra KAM-500 Databook* for instructions on how to insert these pins.

When mating and un-mating double-density connectors, jackscrews should be screwed/unscrewed by half a turn alternately on each side until the connectors are fully mated/un-mated. Failure to mate/un-mate the connectors in this manner may result in deformation of the module top connector, which can reduce the reliability of the electrical contact of the connector/module with face.

WARNING: It is recommended that pins are only inserted once into each pin location of the connector. A reinsertion of any pin into a location where a pin has been removed may result in a loose pin.

Ordering information

PART NUMBER	DESCRIPTION
CON/KAD/002/SR	Mating connector for KAD/TDC/002 (DD, 52-way)

Revision history

REVISION	DIFFERENCES	STATUS
CON/KAD/002/SR	First release	Recommended for new programs

Related products

MODULE	DETAILS
ACD/BAC/002/B	Nickel-plated aluminum straight-through backshell for KAD connectors
ACD/BAC/003/B	Nickel-plated aluminum 20° double-density backshell for KAD connectors

Related documentation

DOCUMENT	DETAILS
DOC/DBK/001	Acra KAM-500 Databook
DOC/HBK/002	Environmental Qualification Handbook
DOC/MAN/018	KSM-500 Databook