

CON/MMO/001/F10A

Mating connector (10-way, A keying, micro-miniature, circular connector)

**CURTISS-
WRIGHT**

CURTISSWRIGHTDS.COM



Overview

The CON/MMO/001/F10A is a 10-way micro-miniature, circular connector for use with network switch and recorder products. It features a ratchet mechanism (a spring mechanism in the coupling nut which locks into radial teeth on the plug barrel) for secure coupling. This feature allows the CON/MMO/001/F10A to remain mated even when under high vibration, without the need for safety wire or torque tools.

An EMI ground spring provides low shell-to-shell resistance. This nickel-plated spring enables the CON/MMO/001/F10A to provide greater than 60dB shielding at a range between 100MHz and 15GHz.

The CON/MMO/001/F10A is supplied with 10 beryllium copper, gold-over-nickel-plated crimp sockets and two dust caps.

Key Features

- Includes connector shell, crimp pins and dust caps
- Low shell-to-shell resistance
- Nickel-plated, beryllium copper, serpentine spring which provides greater than 60dB shielding
- Remains mated even under high vibration

Applications

- Network cable assemblies connecting network switch and recorder products

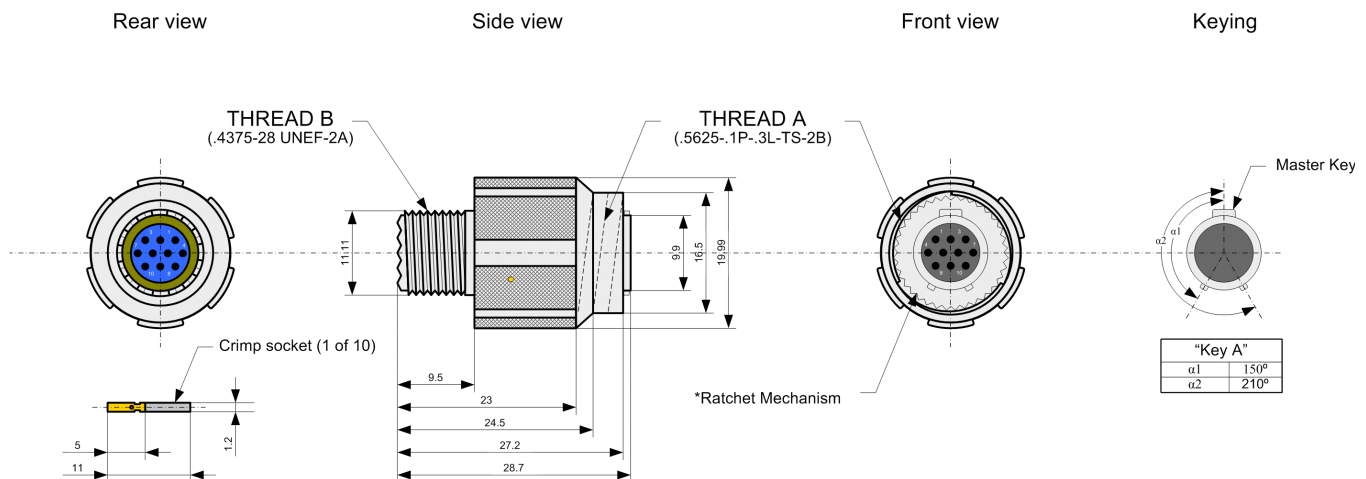


Figure 1: CON/MMO/001/F10A mechanical drawing

Specifications

| TABLE 1 | | Mechanical specifications | | | |
|--|------|---------------------------|------|-------|---|
| PARAMETER | MIN. | TYP. | MAX. | UNITS | CONDITION/DETAILS |
| Mass | | | | | Design metric is grams. |
| connector without contact sockets | – | 10 | – | g | |
| connector without contact sockets | – | 0.35 | – | oz | |
| connector with all ten contact sockets populated | – | 11 | – | g | |
| connector with all ten contact sockets populated | – | 0.39 | – | oz | |
| Dimensions | | | | | Design metric is millimeters. |
| connector diameter | – | 19.99 | – | mm | |
| connector diameter | – | 0.79 | – | in. | |
| connector length | – | 28.73 | – | mm | |
| connector length | – | 1.13 | – | in. | |
| contact socket diameter | – | 1.2 | – | mm | |
| contact socket diameter | – | 0.05 | – | in. | |
| contact socket length | – | 11 | – | mm | Length of threaded insert. |
| contact socket length | – | 0.43 | – | in. | |
| Chassis clearance | | | | | Design metric is millimeters. |
| connector height | – | 28.73 | – | mm | |
| connector height | – | 1.13 | – | in. | |
| bend radius height | – | 60.2 | – | mm | |
| bend radius height | – | 2.37 | – | in. | |
| Finish | | | | | |
| connector shell | – | – | – | – | Electroless nickel-plated aluminium. |
| insulator | – | – | – | – | Liquid crystal polymer. |
| seals | – | – | – | – | Fluorosilicone rubber, blue. |
| contact socket | – | – | – | – | Gold over nickel-plated beryllium copper with stainless steel hood. |
| contact retainer clip | – | – | – | – | Beryllium copper (not plated). |

Getting the most from the CON/MMO/001/F10A

This 10-way micro-miniature, circular mating connector is for connecting to Ethernet ports on network switch and recorder products. The CON/MMO/001/F10A is supplied with 10 loose socket contacts. To prevent mechanical stress to wires and pins, use with the BAC/MMO/001/F10 backshell.

Ordering information

| PART NUMBER | DESCRIPTION |
|------------------|--|
| CON/MMO/001/F10A | Mating connector (10-way, A keying, micro-miniature, circular connector) |

Additional items must be ordered separately; refer to Related Products for options.

Revision history

| REVISION | DIFFERENCES | STATUS |
|------------------|---------------|------------------------------|
| CON/MMO/001/F10A | First release | Recommended for new programs |

Related products

| PRODUCTS | DETAILS |
|-----------------|--|
| BAC/MMO/001/F10 | Backshell for CON/MMO/001/F10A |
| ACC/KIT/005 | Tools for network switch and recorder cable assembly |

Related documentation

| DOCUMENT | DETAILS |
|-------------|---|
| DOC/DBK/001 | Acra KAM-500 Databook |
| DOC/GBK/005 | Environmental Qualification Handbook for Network Switch and Recorder Products |

This page is intentionally blank