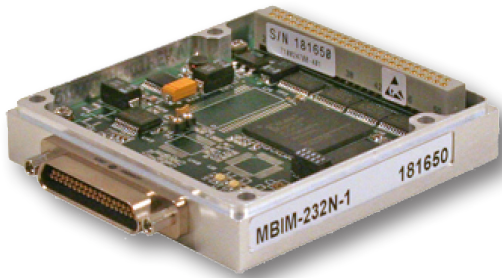


MBIM-232N

2-Channel RS-232/422 Bus Monitor Module

**CURTISS-
WRIGHT**

CURTISSWRIGHTDS.COM



Key Features

- 2 channel plug-in RS-232/422 bus monitor module for the MnHSD-2000 product
- Supports IEEE 1588 for acquisition of coherent global timing information over the network fabric
- Supports EIA RS-232 standard
- Multiple modules can be installed in an MnHSD chassis
- Fully programmable using TTCWare software application
- Two independently configured channels
- Programmable RS-232 characteristics:
 - + Standard baud rates from 50 to 921,600
 - + 5, 6, 7, or 8 data bits
 - + 1 or 2 stop bits
 - + Odd, even, or no parity
 - + RS-232 or RS-422 operation

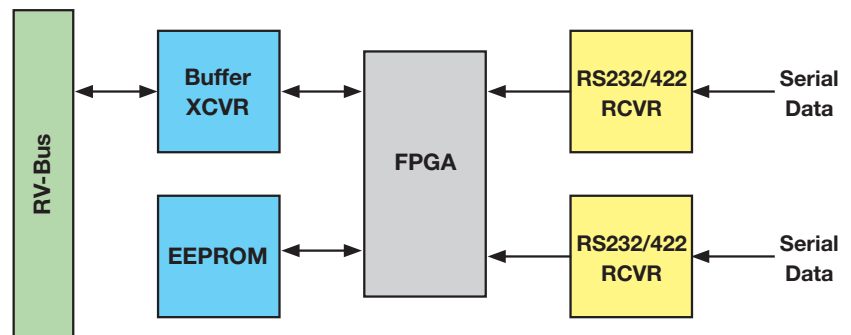
Applications

- Flight test instrumentation
- Ethernet-based distributed network systems
- System safety monitoring

Overview

The MBIM-232N is a plug-in RS-232 bus monitor module for Curtiss-Wright's Miniature Network High-Speed Data Acquisition unit (MnHSD-2000). It accepts two independently configured channels of RS-232 data. The MBIM-232N supports serial communications per the EIA-RS-232 standard at standard baud rates from 50 to 921,600. Timestamping is provided on a per-data-packet basis.

The captured data is available on the host encoder's data output for transmission and recording purposes.



MBIM-232N block diagram

Specifications

Electrical Specifications

- Supply current: +5V @ 150mA maximum
- Power consumption: 0.75 W maximum

Environmental Specifications

- Operating temperature: -40° C to +85° C ambient
- Storage temperature: -55° C to +100° C

Dimensions and Mechanical

- Dimensions (mm): 2.49"W x 2.63"L x 0.40"H (63.25mm x 66.80mm x 10.16mm)
- Weight: 1.6 oz excluding mating connectors
- Unit connector: MDM37S

Input

- RS-232/422: RS-232 or 422 electrical
- Protocol: Programmable baud, bits, stop, parity
- Baud rates: Standard values from 50 to 921,600 baud (50, 110, 300, 600, 1200, 2400, 4800, 9600, 19200, 38400, 57600, 115200, 230400, 460800, 921600)
- Channels: Two per module

Output

- Format: Data is sampled and inserted into network data packets
- Types
 - + Sync words/fixed packet size
 - + Sync words/variable packet size
 - + Gap time/variable packet size
 - + Throughput/fixed packet size
- Packet Size: 512 Bytes

Timestamp

- Availability: Timestamp is placed before each data packet
- Format: IEEE 1588 (64 bits)

Ordering Information

Contact [Curtiss-Wright](#) for ordering information