

RJC-108

8-channel Reference Junction Compensator

**CURTISS-
WRIGHT**

CURTISSWRIGHTDS.COM



Key Features

- 8-channel reference junction compensator
- Compatible with Curtiss-Wright's thermocouple conditioner products:
 - + TCD-116 card in EDAU/CDAU chassis
 - + MTCD-108V module in MEDAU/MCAU stack
- Supports electronic cold junction compensation
- Works with all thermocouple types supported by the specific card/module to which it is interfaced

Applications

- Flight test instrumentation
- Factory automation and process control
- Engine testing

Overview

The RJC-108 is an 8-channel reference junction compensator used with Curtiss-Wright's thermocouple conditioner and other products. The RJC-108 assembly provides the physical interface point between thermocouple materials and copper wire, and also supports the electronic cold junction compensation feature of Curtiss-Wright's thermocouple conditioning products, and works with all thermocouple types supported by the specific card/module to which it is interfaced.

Specifications

General

- Supply current: Sourced by Thermocouple Conditioner Card/Module
- Temperature:
 - + Operating Temperature: -67°F to +302°F (-55°C to +150°C) (box ambient temp)
 - + Storage Temperature: -149°F to +311°F (-65°C to +155°C)

Dimensions and Mechanical

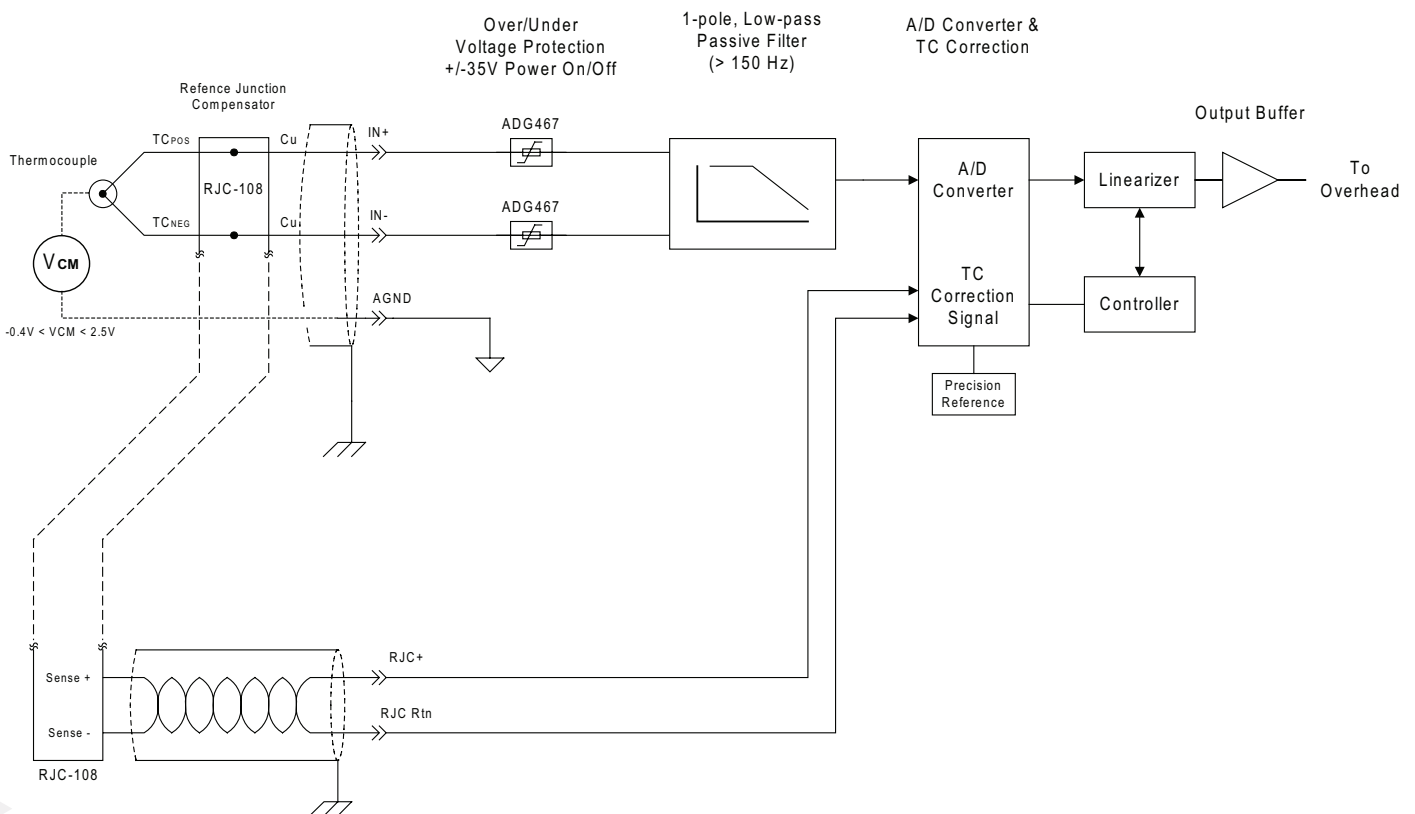
- Weight: 3.2 oz (92 g) not including connectors and pins
- Connectors J1: DBMA-25P
- Connectors J2: DBMA-25S

Electrical

- Input type: Accepts thermocouple/copper wires that are crimped to connectors. Provides a mechanically secure connection via cable clamps.
- Number of inputs: 8 channel inputs per module
- Thermocouple type: All thermocouple types supported by the specific card/module to which it is interfaced

Ordering Information

Contact Curtiss-Wright for ordering information.



RJC-108 functional block diagram