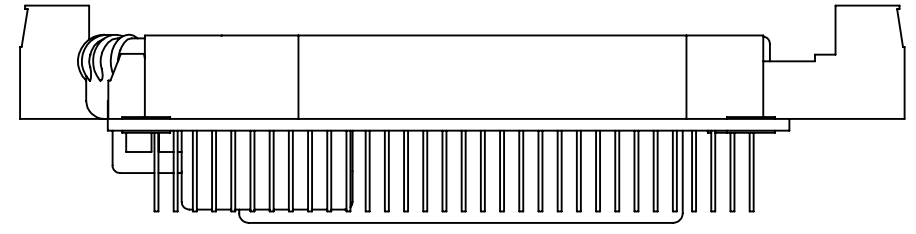
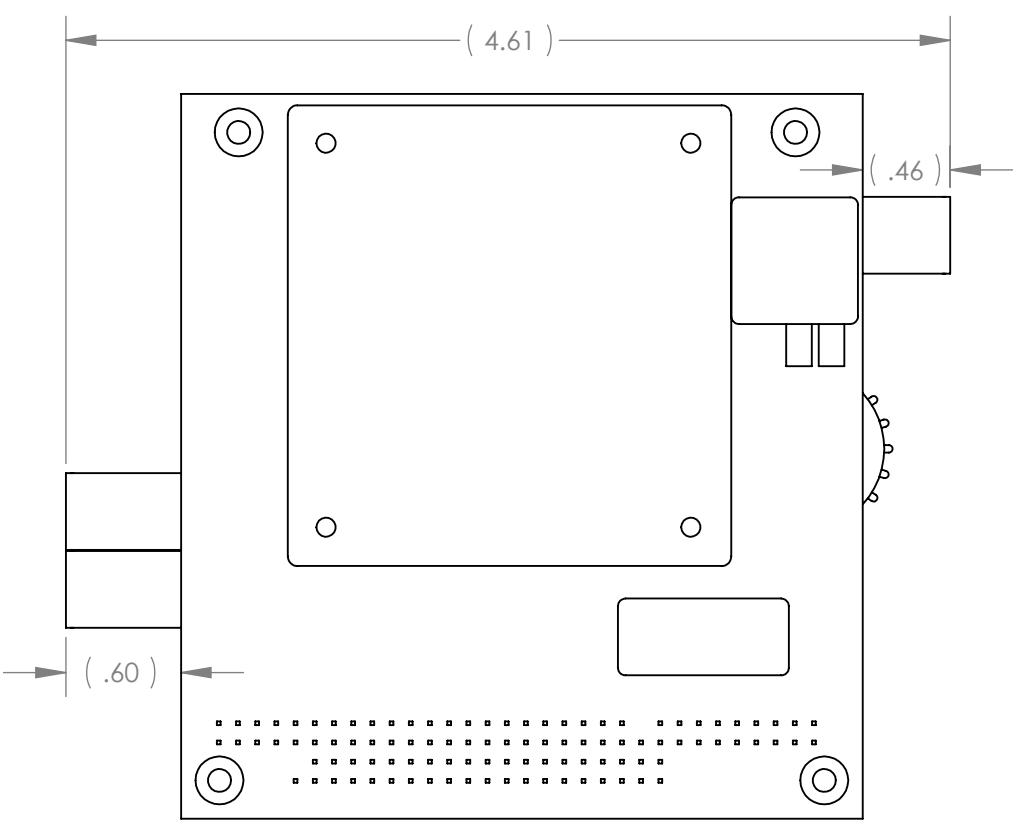
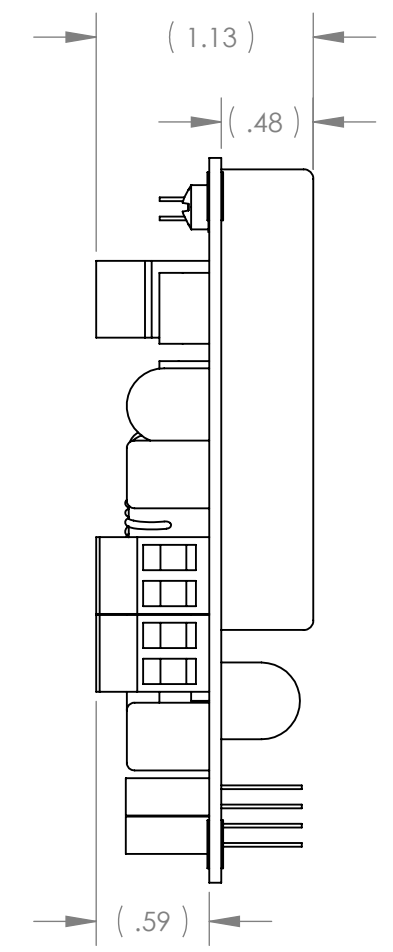
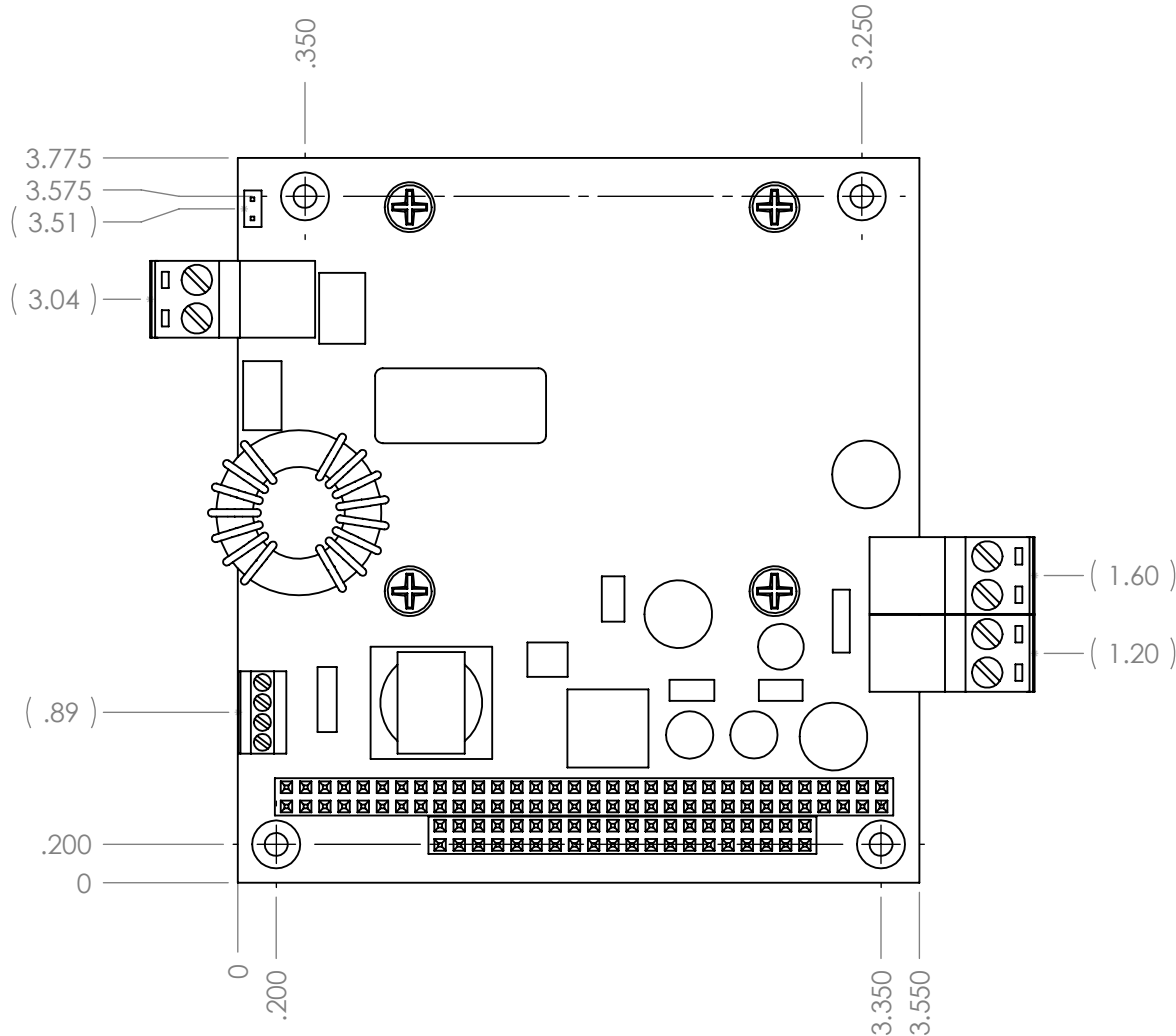
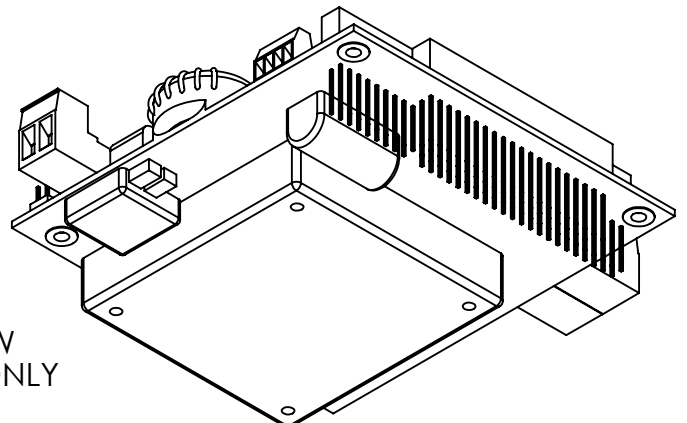


ISOMETRIC VIEW  
FOR REFERENCE ONLY  
SCALE: NONE



A1	INITIAL RELEASE	9/24/2008	2525
REV.	NOTE	DATE	ECO
DOCUMENT REVISION HISTORY			
MATERIAL: N/A	DRAWN BY DPK	DATE 23SEP08	<p>UNLESS OTHERWISE SPECIFIED DIMENSIONS ARE IN INCHES</p> <p><b>TOLERANCES ON</b></p> <p><b>.X ± .1</b></p> <p><b>.XX ± .03</b></p> <p><b>.XXX ± .010</b></p> <p><b>ANGLES ± 1°</b></p> <p><b>SURFACE FINISH: 63 µin RA</b></p> <p>PER ASME Y14.5M-1994</p> <p>© 2006 PARVUS CORPORATION</p> <p>THE INFORMATION CONTAINED IN THIS DRAWING IS THE SOLE PROPERTY OF PARVUS CORPORATION. ANY REPRODUCTION IN PART OR AS A WHOLE WITHOUT THE WRITTEN PERMISSION OF PARVUS CORPORATION IS PROHIBITED.</p>
FINISH: N/A	CHECKED BY DPK	DATE 23SEP08	
	DESIGNED BY DPK	DATE 22SEP08	
WEIGHT: 0.515 LBS.	THIRD ANGLE PROJECTION		
		<p>SIZE/CAGE B 0C0C7</p> <p>DWG NO <b>DRW-1610-01</b></p> <p>SCALE 1:1</p>	<p>REV <b>A1</b></p> <p>SHEET 1 OF 1</p>

A1  
ACS-5161-XX  
B